

**BALDOR® • RELIANCE** 

**Product Information Packet**

**EM3313T-8G**

**10HP, 1770RPM, 3PH, 60HZ, 215T, 3740M, OPSB, F1**

Part Detail							
Revision:	P	Status:	PRD/A	Change #:		Proprietary:	No
Type:	AC	Elec. Spec:	37WGT937	CD Diagram:	CD0006	Mfg Plant:	
Mech. Spec:	37J839	Layout:	37LYJ839	Poles:	04	Created Date:	09-10-2013
Base:	RG	Eff. Date:	07-18-2019	Leads:	3#10		

Specs			
Catalog Number:	EM3313T-8G	IP Rating:	NONE
Enclosure:	OPSB	KVA Code:	H
Frame:	215T	Lifting Lugs:	Standard Lifting Lugs
Frame Material:	Steel	Locked Bearing Indicator:	Locked Bearing
Output @ Frequency:	10.000 HP @ 60 HZ	Motor Lead Quantity/Wire Size:	3 @ 10 AWG
Synchronous Speed @ Frequency:	1800 RPM @ 60 HZ	Motor Lead Exit:	Ko Box
Voltage @ Frequency:	200.0 V @ 60 HZ	Motor Lead Termination:	Flying Leads
XP Class and Group:	None	Motor Type:	3740M
XP Division:	Not Applicable	Mounting Arrangement:	F1
Agency Approvals:	CSA	Power Factor:	82
	CSA EEV	Product Family:	General Purpose
	UR	Pulley End Bearing Type:	Ball
Auxillary Box:	No Auxillary Box	Pulley Face Code:	Standard
Auxillary Box Lead Termination:	None	Pulley Shaft Indicator:	Standard
Base Indicator:	Rigid	Rodent Screen:	None
Bearing Grease Type:	Polyrex EM (-20F +300F)	RoHS Status:	ROHS COMPLIANT
Blower:	None	Shaft Extension Location:	Pulley End
Current @ Voltage:	29.500 A @ 200.0 V	Shaft Ground Indicator:	Shaft Grounding

<b>Design Code:</b>	B	<b>Shaft Rotation:</b>	Reversible
<b>Drip Cover:</b>	No Drip Cover	<b>Shaft Slinger Indicator:</b>	No Slinger
<b>Duty Rating:</b>	CONT	<b>Speed Code:</b>	Single Speed
<b>Electrically Isolated Bearing:</b>	Not Electrically Isolated	<b>Motor Standards:</b>	NEMA
<b>Feedback Device:</b>	NO FEEDBACK	<b>Starting Method:</b>	Direct on line
<b>Front Face Code:</b>	Standard	<b>Thermal Device - Bearing:</b>	None
<b>Front Shaft Indicator:</b>	None	<b>Thermal Device - Winding:</b>	None
<b>Heater Indicator:</b>	No Heater	<b>Vibration Sensor Indicator:</b>	No Vibration Sensor
<b>Insulation Class:</b>	H	<b>Winding Thermal 1:</b>	None
<b>Inverter Code:</b>	Inverter Ready	<b>Winding Thermal 2:</b>	None

<b>Nameplate NP3553L</b>										
<b>CAT.NO.</b>	EM3313T-8G									
<b>SPEC</b>	37J839T937G5									
<b>HP</b>	10									
<b>VOLTS</b>	200									
<b>AMPS</b>	29.5									
<b>RPM</b>	1770									
<b>FRAME</b>	215T				<b>HZ</b>	60			<b>PH</b>	3
<b>SF</b>	1.15		<b>CODE</b>	H	<b>DES</b>	B		<b>CLASS</b>	H	
<b>NEMA NOM. EFF</b>	91.7		<b>PF</b>	82						
<b>RATING</b>	40C AMB-CONT									
<b>CC</b>	010A				<b>USABLE AT 208V</b>					
<b>ENCL</b>	OPSB		<b>SER</b>							
<b>DE</b>	6307			<b>ODE</b>	6206					
<b>VPWM INVERTER READY</b>										
<b>CT30-60(2:1) VT3-60(20:1)</b>										

Parts List		
Part Number	Description	Quantity
SA269051	SA 37J839T937G5	1.000 EA
RA255705	RA 37J839T937G5	1.000 EA
HA6361A01	LIFTING LUG FOR 37, 39 & 40 FRAME ZINC	2.000 EA
37CB3006	37 CB CASTING W/1.38 LEAD HOLE @ 6:00	1.000 EA
51XW2520A10	.25-20 X .62, TAPTITE II, HEX WSHR SLTD	2.000 EA
11XW1032G06	10-32 X .38, TAPTITE II, HEX WSHR SLTD U	1.000 EA
37EP3203A00	MASTER,ODE,206 BRG,GREASER	1.000 EA
HW4500A01	1641B(ALEMITE)400 UNIV, GREASE FITT	1.000 EA
HW5100A06	W2420-025 WVY WSHR (WB)	1.000 EA
37EP3204B00	MASTER,DE,307 BRG,GREASER,LOCKED BEARING	1.000 EA
10XN2520A28	1/4-20X 1 3/4 HEX HD	4.000 EA
HW1001A25	LOCKWASHER 1/4, ZINC PLT .493 OD, .255 I	4.000 EA
HW4500A01	1641B(ALEMITE)400 UNIV, GREASE FITT	1.000 EA
HA3104A35	THRUBOLT .31-18 X 13.687	4.000 EA
XY3118A12	5/16-18 HEX NUT DIRECTIONAL SERRATION	4.000 EA
37CB4516	LIPPED LID FOR 37 FRAME NEC KOBX	1.000 EA
51XW0832A07	8-32 X .44, TAPTITE II, HEX WSHR SLTD SE	4.000 EA
HW2501F21	KEY, 5/16 SQ X 2.375	1.000 EA
HA7000A02	KEY RETAINER RING, 1 1/8 DIA, 1 3/8 DIA	1.000 EA
85XU0407S04	4X1/4 U DRIVE PIN STAINLESS	2.000 EA
LB1115N	LABEL,LIFTING DEVICE (ON ROLLS)	1.000 EA
LB1459	AEGIS SGR LABEL "AEGISLBL-100"	1.000 EA
MJ1000A02	GREASE, MOBIL POLYREX EM - 124047	0.050 LB
37AD2001A01	BAFFLE PLATE, PLASTIC 0.63" WIDTH	2.000 EA

<b>Parts List (continued)</b>		
<b>Part Number</b>	<b>Description</b>	<b>Quantity</b>
MG1000Y03	MUNSELL 2.53Y 6.70/ 4.60, GLOSS 20,	0.028 GA
LB1119N	WARNING LABEL	1.000 EA
LC0006	CONNECTION LABEL	1.000 EA
NP3553L	ALUM SUPER-E VPWM INVERTER READY UL CSA-	1.000 EA
36PA1001	PKG GRP, PRINT PK1017A06	1.000 EA
MN416A01	TAG-INSTAL-MAINT no wire (1200/bx) 3/19	1.000 EA
LB1350	BAR CODE LABEL FOR YORK	1.000 EA
FE-0000001	ZRTG FE ASSEMBLY	1.000 EA
PE-0000001	ZRTG PE ASSEMBLY	1.000 EA

**AC Induction Motor Performance Data**

Record # 43342 - Typical performance - not guaranteed values

<b>Winding:</b> 37WGT937-R008	<b>Type:</b> 3740M	<b>Enclosure:</b> OPSB
-------------------------------	--------------------	------------------------

Nameplate Data				200 V, 60 Hz: Single Voltage Motor	
Rated Output (HP)	10			Full Load Torque	29.68 LB-FT
Volts	200			Start Configuration	direct on line
Full Load Amps	29.5			Breakdown Torque	94.73 LB-FT
R.P.M.	1770			Pull-up Torque	51.57 LB-FT
Hz	60	Phase	3	Locked-rotor Torque	57.55 LB-FT
NEMA Design Code	B	KVA Code	H	Starting Current	225 A
Service Factor (S.F.)	1.15			No-load Current	14.79 A
NEMA Nom. Eff.	91.7	Power Factor	82	Line-line Res. @ 25°C	0.19 Ω
Rating - Duty	40C AMB-CONT			Temp. Rise @ Rated Load	34°C
S.F. Amps				Temp. Rise @ S.F. Load	41°C
				Locked-rotor Power Factor	38
				Rotor inertia	0.984 LB-FT <sup>2</sup>

**Load Characteristics 200 V, 60 Hz, 10 HP**

% of Rated Load	25	50	75	100	125	150	S.F.
Power Factor	39	60	72	78	82	83	82
Efficiency	86.5	91.5	92.1	91.8	90.9	89.7	91.2
Speed	1793	1787	1779	1771	1763	1753	1765
Line amperes	16.14	19.77	24.38	29.96	36.17	43.27	33.3

Performance Graph at 200V, 60Hz, 10.0HP Typical performance - Not guaranteed values

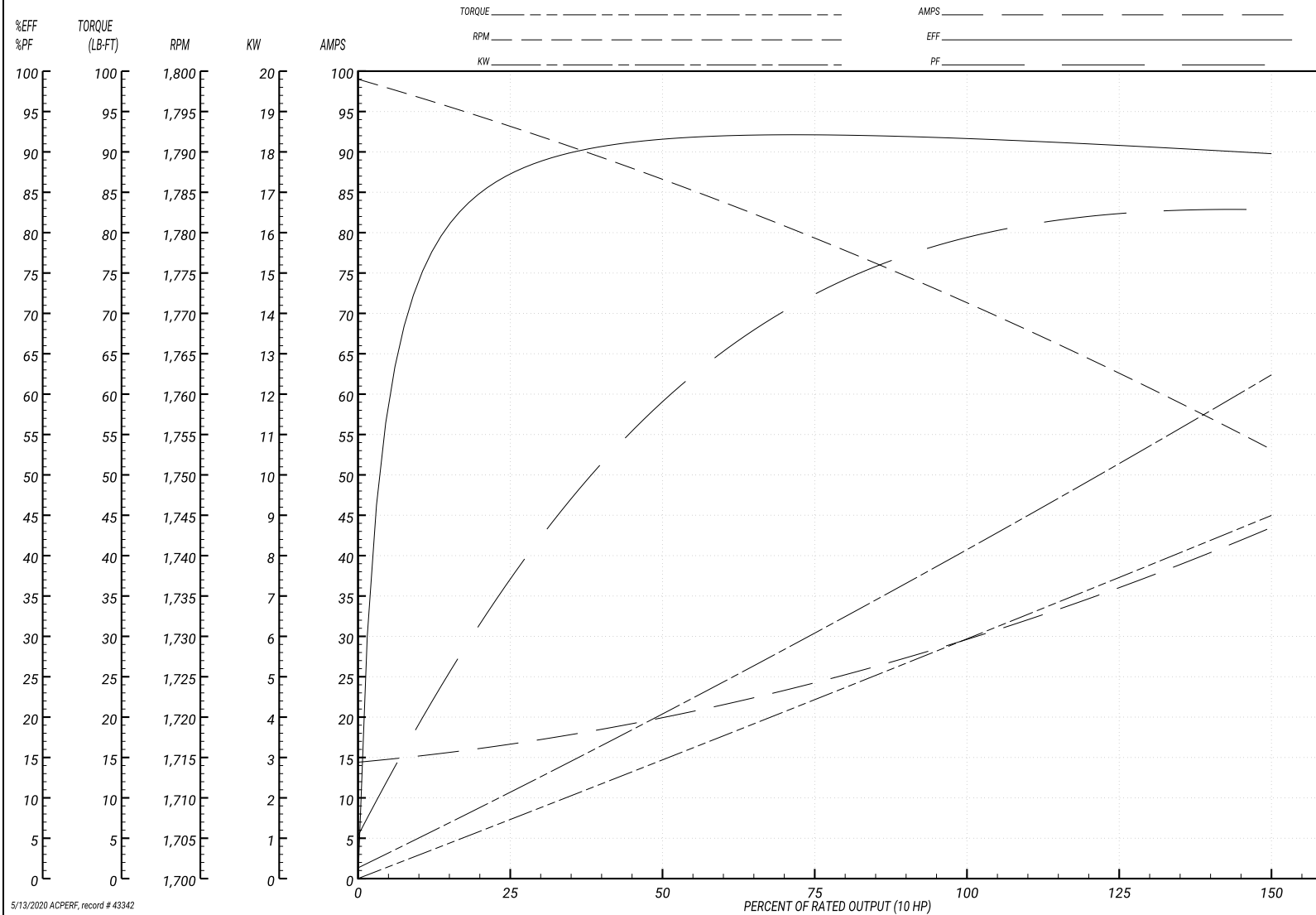
ABB Motors and Mechanical Inc.

WINDING # 37WGT937

Typical performance - not guaranteed values.

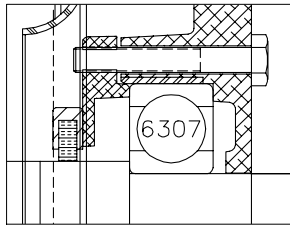
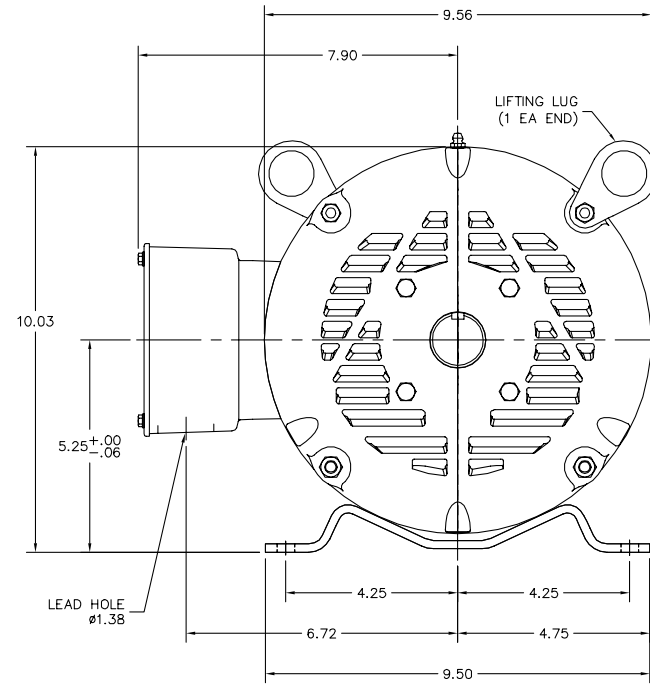
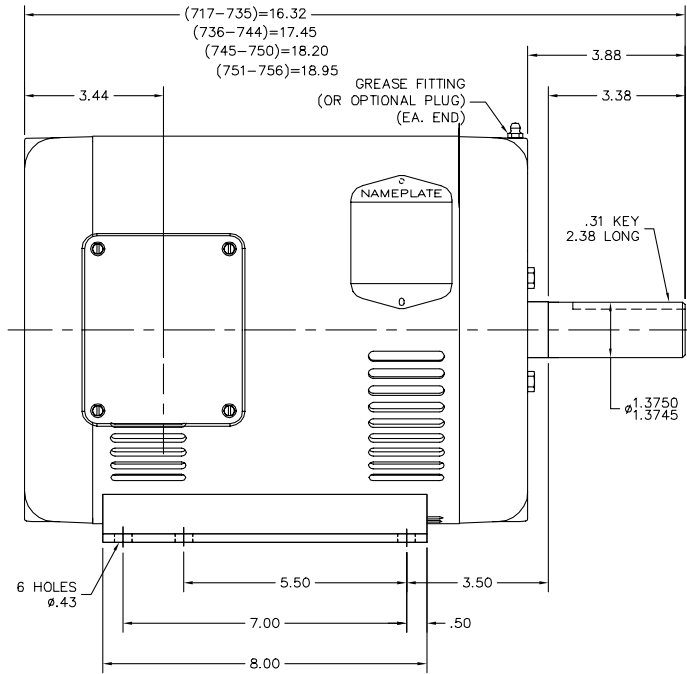
10 HP 3 PH 60 HZ 1770 RPM 200 V 3740M

TORQUES(LB-FT): PO=94.73 PU=51.57 LR=57.55 LRA=225



5/13/2020 ACPERF, record # 43342

37LYJ839



PU END DETAIL

CUSTOMER IS RESPONSIBLE FOR DETERMINING THAT BALDOR'S PRODUCT WILL PERFORM SUITABLY IN THE INTENDED APPLICATION.

REV. DESC: ADD GREASE PLUG TO GREASER CALLOUT	VERSION: 01	TDR: 000001115109
REV. LTR: A	REVISED: 11:42:58 07/22/2019	BY: ENWINBO
FILE: \AAA\00174\569		
MTL: -		

**BALDOR - RELIANCE**<sup>®</sup>  
 HOR 213-5T OPSB M, AEGIS INT SHAFT GND  
 SH 1 of 1

37LYJ839

CD0006



NOTES:

1. THREE LEAD MOTOR MAY BE EITHER WYE CONNECTED OR DELTA CONNECTED.
2. INTERCHANGE ANY TWO LINE LEADS TO REVERSE ROTATION.
3. OPTIONAL THERMOSTATS ARE PROVIDED WHEN SPECIFIED.
4. ACTUAL NUMBER OF INTERNAL PARALLEL CIRCUITS MAY VARY.
5. LEAD COLORS ARE OPTIONAL. LEADS MUST BE NUMBERED AS SHOWN.

CD0006

REV. DESC: ADD CLASS CONN00000007		
REV. LTR: E	VERSION: 01	TDR: 000001099922
FILE: \AAA\00005\141	REVISED: 10:24:49 02/19/2019	BY: ENBRIRO
MTL: -	© □	

**BALDOR - RELIANCE®**

3PH, SV, 3 LEADS, WYE OR DELTA CONNECTED

SH 1 of 1